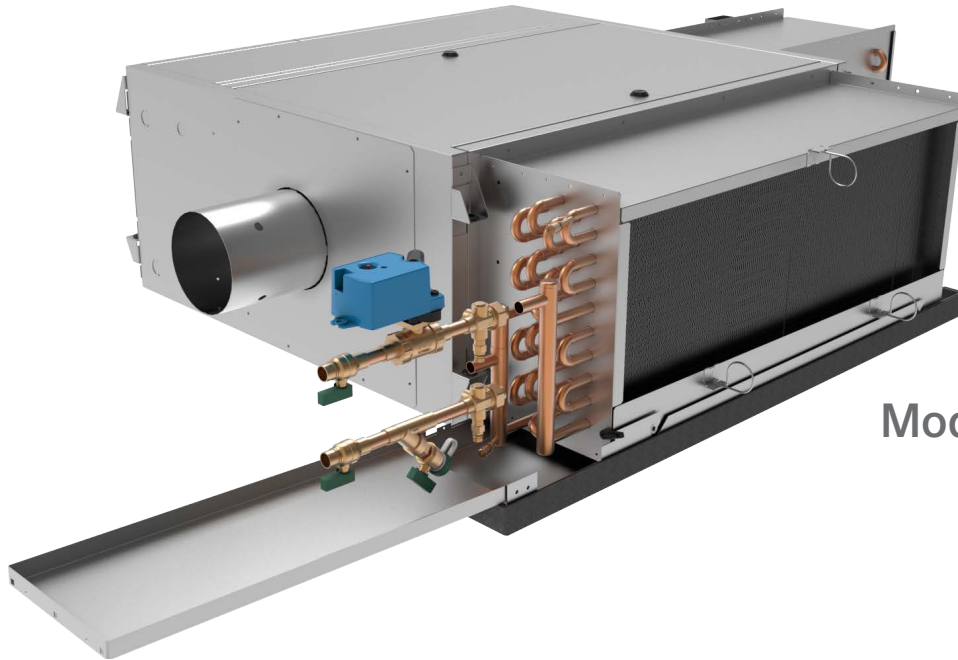


CRC Series

Series Flow, Fan-Powered Sensible Cooling VAV Terminals



Model CRC

Owners

The Enviro-Tec CRC is tested in accordance with AHRI Standard 880 certification, ensuring exacting performance. Concerned about maintenance and serviceability? Top and bottom service panels with durable, low-profile latches are standard on CRC Series Flow Fan-Powered Sensible Cooling Terminal Units, allowing the motor-blower assembly to be easily removed and reinstalled. An optional staged or proportional SSR electric heat rack utilizes innovative discharge duct-mounted plug and play technology for convenient field serviceability.

Contractors

CRC Series Flow Fan-Powered Sensible Cooling Terminal Units provide maximum performance while reducing installed cost to the contractor. The CRC is equipped with integrated vibration isolating hanger brackets, an integrated 180-degree flippable electrical control enclosure with NEC bottom access and additional side access, and is available with optional factory-provided and factory-mounted valve packages.

Designers

Enviro-Tec CRC Series Flow Fan-Powered Sensible Cooling Terminal Units offer an array of options and a number of available sizes, allowing for unparalleled flexibility. Ranging from 100 to 2000 CFM, six unit sizes allow the CRC to accurately match specified room-load requirements. Standard with EC motor and Solo or Sync motor control. Optional hot water coil, or optional electric heating coils available. CRC Series Flow Fan-Powered Sensible Cooling Terminal Units produce the ultimate in comfort and flexibility.

Innovative Design Simplifies Installation & Service

High Performance

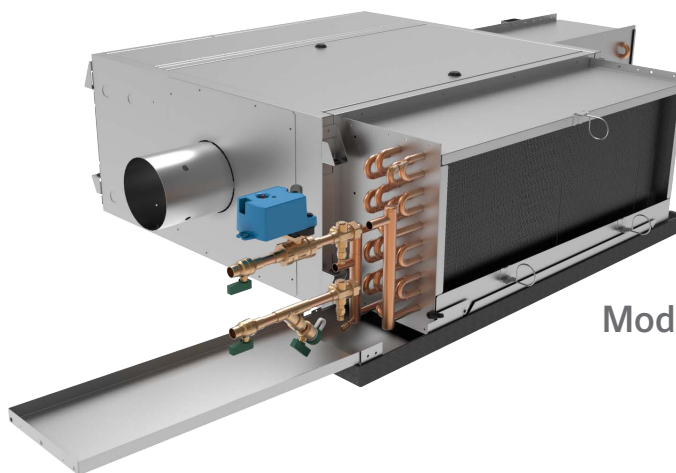
Enviro-Tec CRC Series Flow Fan-Powered Sensible Cooling Terminal Units are designed to maximize flexibility of selection and installation. The units are also designed to exceed the stringent quality standards of the institutional market, while remaining cost-competitive in the light commercial segment of the market. Enviro-Tec CRC Series Flow Fan-Powered Sensible Cooling Terminal Units set the new standard for quality, flexibility, and competitive pricing.

Design Flexibility

The extensive variety of options available on the CRC Series Flow Fan-Powered Sensible Cooling Terminal Units are where you find the versatility to fit any HVAC system designer's needs. Options include: staged or proportional SSR electric heat with single power connection, Solo or Sync motor control, and efficient EC motor technology. High-efficiency motors, fan relays, optional disconnects, fusing and drip pans all mean easier coordination between mechanical and electrical trades.

Convenient Installation

All Enviro-Tec CRC Series Flow Fan-Powered Sensible Cooling Terminal Units are shipped completely assembled, and include integrated vibration isolating hanger brackets. Optional factory-provided and factory-mounted HW valve packages reduce field installation time and labor. All units are thoroughly inspected and tested prior to shipment, eliminating potential problems at startup.



Model CRC

Standard Features

- Unit Sizes: 07, 10, 12, 15, 20, 25
- CFM Range: 100-2000 CFM
- Sensible Cooling Coil: 2, 3, 4, 6, or 8 Rows
- Insulated Sensible Cooling Coil Drip Pan
- Integrated 180-degree Flippable High/Low-Voltage Control Enclosure
- Integrated Vibration Isolating Hanger Brackets
- Top and Bottom Service Panels With Durable Low-Profile Latches
- FlowStar™ Inlet Airflow Sensor
- 120, 208-230, 277 Volt Single-Phase EC Motors
- Solo or Sync Motor Control Technology
- Consignment Controls

Optional Features

- Hot Water Coil: 1, 2, 3, or 4 Rows
- Factory-Provided and Factory-Mounted Valve Packages (HW Only)
- On/Off, Incremental, or Proportional Controls For Sensible Cooling and/or Hot Water Coils
- Drip Pan for Condensing Applications (Pictured)
- Moisture Sensor or Float Switch
- Staged or Proportional SSR Electric Heat
- Fused or Non-Fused Disconnect Switch
- 90-Degree Flippable Electrical Control Enclosure



ENVIRO-TEC is a registered trademark and FlowStar is a trademark of Johnson Controls in the United States of America and other countries. Other trademarks used herein may be trademarks or registered trademarks of other companies.

Publication: PUBL-4890 (0921) New Release
© 2021 Johnson Controls
www.enviro-tec.com

